

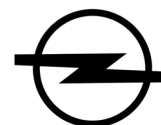
TRIPOD MOBILITY WHEELCHAIR ACCESSIBLE VEHICLES



CITROËN
Berlingo M & XL



PEUGEOT
Rifter Standard & Long



OPEL
Combo Life L1 & L2



SPACIOUS, FLEXIBLE AND VERSATILE

A reliable family car with a wide range of seating options,
optimal space and visibility for wheelchair passenger.

BROCHURE

Short version or M/ Standard /L1.
Carlength 4.40m, wheelbase 2.78m.

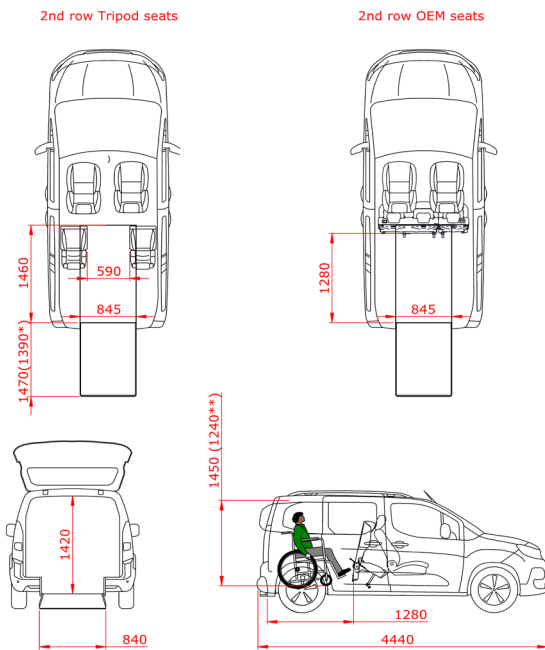
Tested and approved by:



RDW

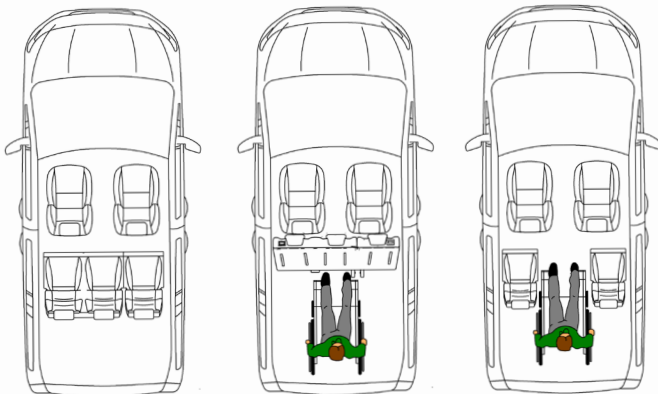
STELLANTIS

Measurements



* Taxi ramp
** Panoramic sunroof
Dimensions are indicated in mm

Seating options



- Lowered floor from rear up to front seats.
- 4-point wheelchair tie-down system with an adjustable 3-point seatbelt for the wheelchair passenger.
- New fuel tank and modified exhaust system to accommodate a deep and level lowered floor.
- Original AdBlue tank.
- Clearview double folding lightweight ramp.
- LED lights at the entrance by the rear hatch for better visibility.
- New rear coil springs to improve driving experience.
- Lowered floor fully covered with matching upholstery.
- The center part from the rear bumper will be replaced on the hatch, thus maintaining the original look.

Options

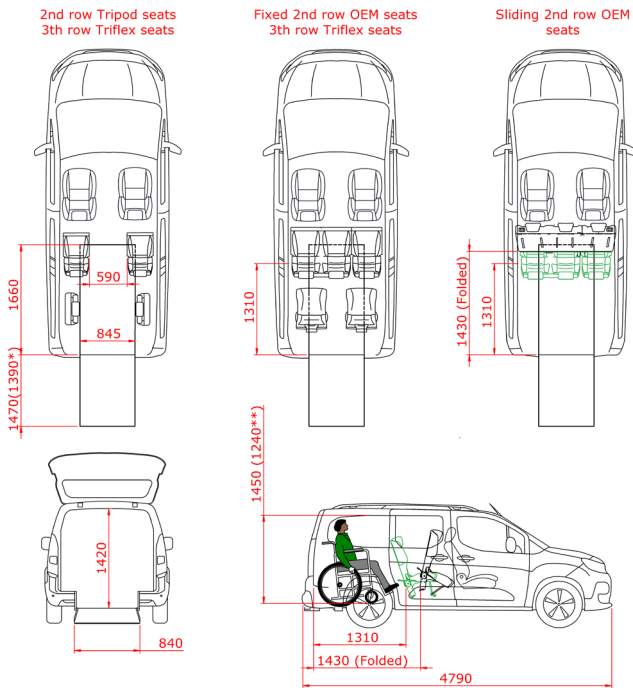
- One or two (removable) Tripod seats or re-installing the original bench on the 2nd row.
- Restore functionality of original parking sensors.
- Taxiramp which creates a flat loading floor.
- BodyGuard; back and head protection for the wheelchair user.

Long version or XL/ Long /L2.
 Carlength 4.75m, wheelbase 2.97m.

Tested and approved by:

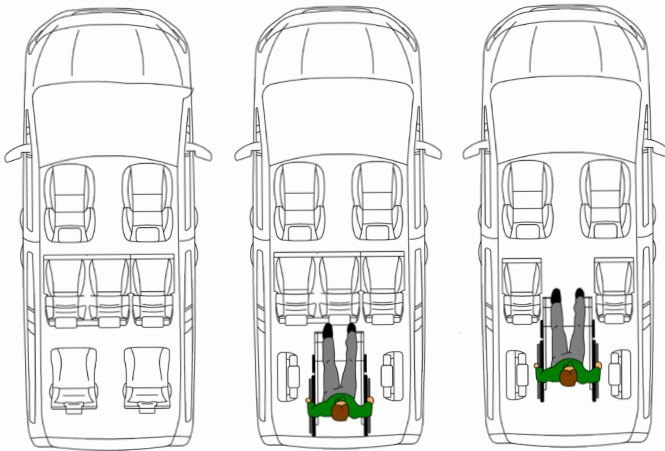


Measurements



Seating options

* Taxi ramp
 ** Panoramic sunroof
 Dimensions are indicated in mm



- Lowered floor from rear up to front seats.
- 4-point wheelchair tie-down system with an adjustable 3-point seatbelt for the wheelchair passenger.
- New fuel tank and modified exhaust system to accommodate a deep and level lowered floor.
- Original AdBlue tank.
- Clearview double folding lightweight ramp.
- LED lights at the entrance by the rear hatch for better visibility.
- New rear coil springs to improve driving experience.
- Lowered floor fully covered with matching upholstery.
- The center part from the rear bumper will be replaced on the hatch, thus maintaining the original look.

Options

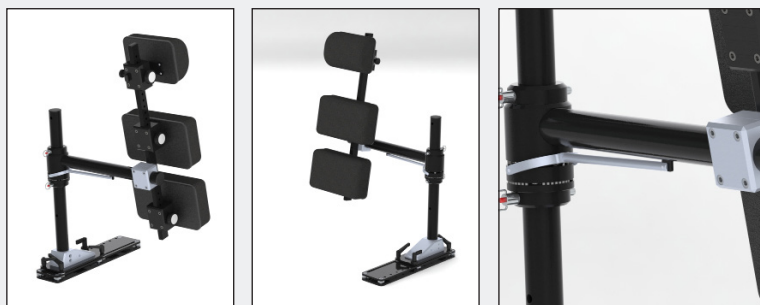
- One or two (removable) Tripod seats on the 2nd row.
- One or two TriflexAIR seats on the 3rd row icw fixed 2nd row bench.
- Original bench/3 original seats fixed on the 2nd row.
- Original bench/3 original seats sliding on the 2nd row.
- Restore functionality of original parking sensors.
- Taxi ramp which creates a flat loading floor.
- BodyGuard; back and head protection for the wheelchair user.

Options

For each car there are many options available. Discuss these, or other options, with your dealer and order with your conversion.

Safety

Tripod Mobility values your safety above all. All our conversions have been developed with care and new conversions tested independently. The **European Type Approval** we provide, make for easy registration anywhere in the EU.



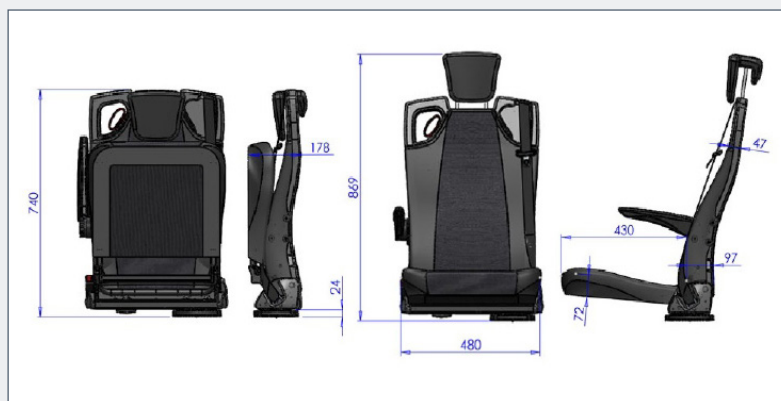
BodyGuard

Designed to offer the same protection to the wheelchair user a good car seat would

- back and neck support
- suitable for every car
- easily foldable
- safety tested

TriflexAIR seats

- One of the slimmest and lightest swivel seats available
- Comfortable because of their high quality filling and breathable upholstery
- Foldable and can be swiveled out of the way to make room for the wheelchair
- M1 Approved & tested according to the highest safety standards
- ISOFIX attachment points for child safety seats passenger



Taxi ramp

- Ramp that folds flat into the boot allowing for flexible use of the boot
- For wheelchair user when in vertical position
- Easy access to baggage when folded down, holds up to 80kg
- Clear rear view when folded down
- Tested according to regulation ECE-R11

Disclaimer; prices and descriptions are based on the information available during publication and are valid until further notice. We cannot guarantee the correctness and completeness of the information given and therefore do not accept liability.